

# Saddlemen™

## USER GUIDE & INSTALLATION INSTRUCTIONS

[www.saddlemen.com](http://www.saddlemen.com)

# BACKREST BAG

BR 4100



### FEATURES OF THE BACKREST BAG:

- Rugged blend of 1200 Denier Saddle Tuff and leather-like vinyl panels are UV, water and weather-resistant, and look great.
- The bag adds storage for solo riders undertaking a long tour, or for solo commuter riders who need a lot of cargo space.
- Quick disconnect mounting system easily attaches bag to your motorcycle's seat and trunk, and provides easy removal.
- The bag's fully rigid construction provides a comfortable and reliable support for the rider to lean against, even when empty.
- Sturdy grip handle for convenient carrying. Also includes a backpack strap for carrying the bag on your back with ease.
- Large 67-liter, 4100-cubic inch capacity, with top-loading main compartment, holds a variety of cargo.
- Insulated Side Pouches keep drinks or snacks, hot or cold, and elastic net provides fast access to things you need on the road.
- Top accessory straps allow you to add on a Saddlemen roll bag, or extra jacket while side mesh pouches are perfect for maps.
- Mini-padlocks with extra keys help you secure your belongings in the bag.

### ⚠ WARNING

#### READ THESE INSTRUCTIONS THOROUGHLY BEFORE INSTALLATION!

Because of the variety of motorcycle configurations, other accessories, and the features and intended use of this Saddlemen accessory, there are many different mounting options. You are responsible for the proper installation of this accessory on your motorcycle. Your attention to these installation instructions and recommendations will permit safe and proper use of this accessory. You must mount this accessory properly and securely before riding your motorcycle. If you lack the ability to safely and properly install this accessory, seek out a qualified motorcycle technician for assistance. During installation, support the motorcycle with a suitable stand or lift so it will not tip over and injure you, or damage the vehicle. Using or mounting this accessory improperly could result in a loss of control of the motorcycle which could result in damage to your motorcycle or other personal property, the property of third parties, and/or personal injury to yourself or others, up to and including death.

#### BE SURE TO THOROUGHLY READ AND CLOSELY FOLLOW THE MOUNTING INSTRUCTIONS THAT ARE INCLUDED WITH THIS ACCESSORY:

- The bag must be installed and securely fastened onto the seat, trunk, or the rack of the motorcycle.
- Install the bag securely so it will not shift or move while riding. Make sure the mounting straps or the bag will not contact the wheels, suspension or any other moving parts of the motorcycle.
- If you do not understand the mounting instructions DO NOT mount the bag. Remove the mounting straps or any components you may have already installed on your motorcycle.
- Thoroughly inspect your motorcycle luggage before every ride. Do not use this bag if the mounting system has been modified, has deteriorated, loosened or is beginning to fail.
- Before riding, secure your cargo inside the bag and completely close any lid or flap.
- Continually check the security of the bag at each stop as you ride. Straps can loosen during operation, so be sure to check them frequently.
- Do not use this accessory if you have any doubts as to whether it is properly mounted to your motorcycle.
- Do not exceed 25 pounds of total weight of the bag and its contents.
- Do not transport or store flammable or potentially explosive materials in your bag.
- When using this accessory, do not exceed your vehicle's Maximum Gross Vehicle Weight as listed on your motorcycle or in the manufacturer's owner's manual.
- If your bag is ever damaged, do not use it until it has been inspected by your local professional motorcycle dealer. Replace the bag immediately if it has sustained damage that will prevent it from being properly secured to your motorcycle or being able to securely hold its contents.

#### DO NOT ATTEMPT TO USE THIS ACCESSORY IF:

- You do not understand these installation and use instructions,
- You do not understand any part of the accessory mounting system,
- You have any doubts as to the security of the mounting system.

If you have any concerns or questions, seek help at your qualified motorcycle dealer or call the Saddlemen support line at (310) 638-1222.

Remember: Motorcycling can be a dangerous activity. Installation of any accessory can increase your risk if it is not installed properly. You are responsible to install this accessory so it will not contact any portion of the drive train, suspension or steering, and so it will in no way interfere with the operation of your motorcycle.

### PARTS INCLUDED WITH THE BACKREST BAG:

Part	Qty.	Part	Qty.
Backrest Bag	1	Mounting straps (with snap-hook)	2
Backpack strap	1	Security strap (with quick-release buckle)	1
Padlock & keys	1	Instruction sheet	1

### RECOMMENDED TOOLS:

Scissors to cut any excess mounting strap material.

NOTE: Other tools may be required, depending upon your vehicle and how you will mount the bag.

Continued on next page...



## INSTALLATION INSTRUCTIONS:

Your Saddlemen Backrest Bag has been designed to be mounted on a variety of motorcycles, and is especially well suited for mounting on touring motorcycles equipped with a trunk. The bag ① is shaped to rest on top of the passenger seat ② behind the rider, to nestle into the concave shape of the touring trunk ③. Your bag includes mounting straps that you should attach to the rear rack, passenger grab rail, or other solid points on the motorcycle to hold the bag in place. You (or your professional motorcycle technician) will need to determine the best mounting configuration for your vehicle.

## MOUNTING STRAPS & SECURITY STRAP:

Two mounting straps, with snap hooks ④, are included with your bag. The end of the strap opposite of the snap hook should be secured around a rigid part of the motorcycle, such as the saddlebag guards, passenger grab rail, or lower rack supports. The strap ends with the snap hook are to be clipped to the D-rings ⑤ on each side of the bag.

Another strap ⑥ is also permanently attached to the lower rear of the bag, and this strap can be routed and tightened around a sissy bar or rack support to further secure the bag as needed.

An additional security strap ⑦ can be attached to the top, rear portion of the bag using the strap's side release, quick disconnect fastener. This strap may be routed over the trunk-mounted passenger backrest pad and through the trunk-mounted rack (if the motorcycle is so equipped), for further security of the bag mount.

## IMPORTANT:

Attaching the mounting straps to solid mounting points is essential in order for the bag to stay attached to the motorcycle during rough riding conditions. Once attached, make sure the bag is unable to move from side to side or forward and rearward. Test the bag for movement under moderate pressure, and reconnect or tighten the straps until the bag is securely attached to the bike. After installing the bag, cut off or secure any excess security strap material so it will not interfere with the motorcycle's controls, suspension, wheels or other components. After cutting strap material, seal cut edge of the strap with the flame from a cigarette lighter (use caution and a small amount of flame to not excessively burn the strap). Do not operate the motorcycle if the straps are still in place after removing the bag, as the straps could interfere with the safe operation of the vehicle.

## DO NOT OVER TIGHTEN THE MOUNTING STRAPS:

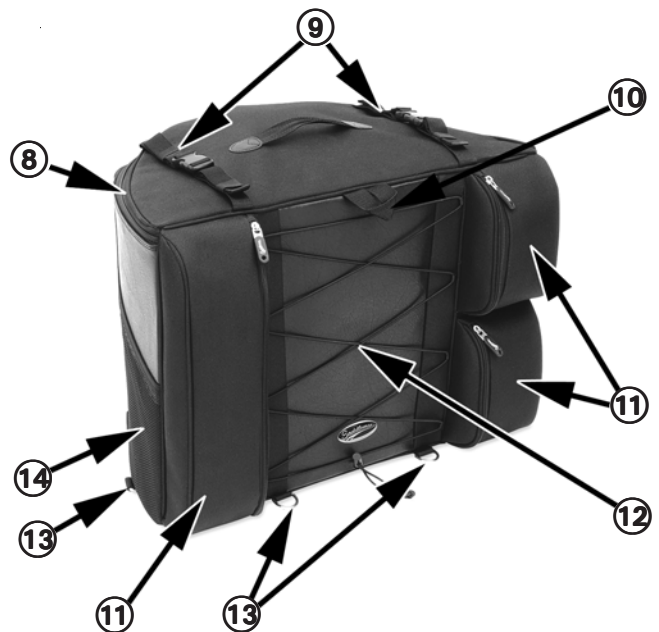
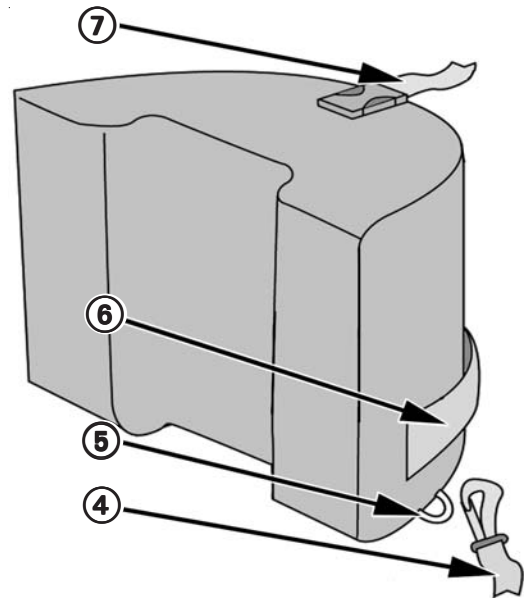
Overtightening the mounting straps can cause the D-rings to separate from the bag. Use additional mounting straps rather than overtightening the straps.

## OTHER FEATURES:

- ⑧ Main storage access (zipper)
- ⑨ Security strap (can also be used to secure Saddlemen Pop Roll Bag #R850 or apparel to top of bag)
- ⑩ Hanging loop (can be used to hang the bag for storage)
- ⑪ Zippered, insulated side storage compartments
- ⑫ Elastic web (can be used to secure apparel to side of bag)
- ⑬ Multiple D-rings (for securing the bag to the motorcycle)
- ⑭ Two outer mesh storage pockets

## Not visible:

- Large, lined inner storage compartment (can accept large cargo items)
- Outside storage pocket (at back of bag)
- Inner, zippered mesh storage pocket in main compartment (under main flap)
- Backpack strap (connects to hanging loop and D-rings)



Continued on next page...

## IMPORTANT:

Failure to install this accessory properly may allow portions of the bag or its mounting materials to contact the vehicle's moving parts. It is vital that you verify that the accessory and/or any of its parts will not touch, or interfere with other components while the motorcycle's suspension moves through its entire range of motion.

Make sure that your Backrest Bag does not touch the exhaust or other non-moving components, as well, as it may be damaged from such contact.

Occasionally, the configuration of this accessory with certain motorcycles may require relocation and/or adjustment of certain components on the vehicle. Check to be sure that all lights and safety reflectors are visible once the bag is in place. If the bag blocks any side reflectors, place reflectors on the exterior sides of the bag (reflectors with self-adhesive backing are available from motorcycle or automobile supply stores). It is your responsibility to make sure installation does not create an unsafe or illegal situation.

After 50 miles (80 kilometers), recheck all of the mounting straps and the bag to make sure they are still tight and secure. Inspect the bag and related hardware before, and during, each ride. A loose bag or hardware can interfere with the vehicle's operation and cause an unsafe riding condition.



### CARE OF YOUR SADDLEMEN BAG:

Your Saddlemen Backrest Bag requires almost no maintenance, other than periodic cleaning.

Use Saddlemen Seat & Saddlebag Ultra Wash (#3101) for the best results while cleaning, or use mild soap and water.

Protect the finish and enhance the appearance of your bag with Saddlemen's Seat & Saddlebag Fabric Conditioner (#3103).



## SADDLEMEN LIMITED ONE-YEAR WARRANTY

Saddlemen warrants its products for defects in materials, design or workmanship for a period of one year after retail purchase. Items that are defective will be repaired or replaced by Saddlemen at its sole discretion. Damage caused by improper use or improper installation is not a defect; therefore repair or replacement of a damaged accessory will not be covered under this warranty. This warranty contains other provisions and conditions, so please visit [www.saddlemen.com](http://www.saddlemen.com) for additional information. Thank you for purchasing your new Backrest Bag. You can count on Saddlemen's quality, innovation, service and style. We want you to be completely satisfied. If you have any comments, or are not satisfied with the performance of your Saddlemen accessory, please contact the Saddlemen support line at (310) 638-1222.



[www.saddlemen.com](http://www.saddlemen.com)

17801 SOUTH SUSANA ROAD, RANCHO DOMINGUEZ, CA 90221

(310) 638-1222 3 / 3

11-400073